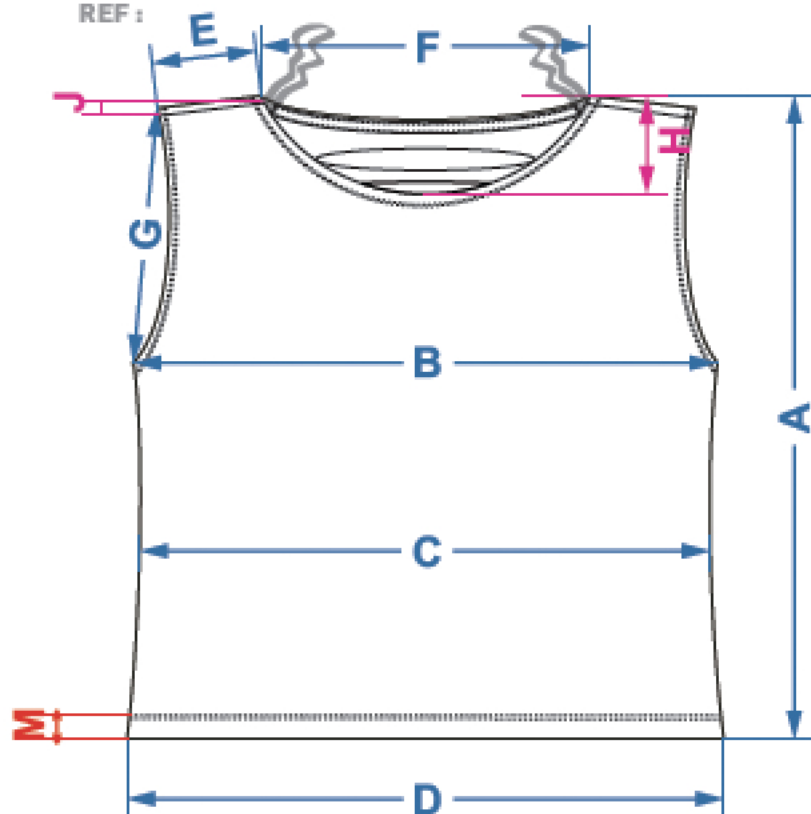


STYLE : LAX(woman)

REF :



As per shirts 2000 new measurement

| SIZE | | XS | S | M | L | Tol.± |
|----------------------------------|---|-----|------|-----|------|-------|
| Front length - HPS (Without cut) | A | 50 | 52 | 54 | 56 | 1.5 |
| 1/2 Chest | B | 54 | 57 | 60 | 63 | 1.5 |
| 1/2 Waist | C | 52 | 55 | 58 | 61 | 1.5 |
| 1/2 Bottom | D | 54 | 57 | 60 | 63 | 1.5 |
| Shoulder | E | 14 | 14.5 | 15 | 15.5 | 0.5 |
| Neckline edge to edge | F | 25 | 25.5 | 26 | 26.5 | 0.5 |
| Armhole straight | G | 19 | 20 | 21 | 22 | 0.5 |
| Front Neck Drop frm HPS | H | 11 | 11.5 | 12 | 12.5 | 0.5 |
| Back Neck Drop frm HPS | I | 4.5 | 4.5 | 4.5 | 4.5 | 0 |
| Shoulder Drop | J | 1 | 1 | 1 | 1 | 0 |
| Hem- Neck+ Armhole | K | 1 | 1 | 1 | 1 | 0 |
| Stitching (Overlock) | L | 1/8 | 1/8 | 1/8 | 1/8 | 0 |
| Bottom Hem | M | 1.5 | 1.5 | 1.5 | 1.5 | 0 |
| Neck & Armhole hem | N | 0.9 | 0.9 | 0.9 | 0.9 | 0 |
| Back Tape | O | 1 | 1 | 1 | 1 | 0 |